

MCS25

- Reach: 2m to 4m50
- Built-in wear-resistant compression spring:
> 3.000.000 movements
- Adjustable movement speed
- Master/slave
- Up to 5 year warranty
- Custom-made and delivered ready for installation

Parts

Barrier box

- Dimension: 350 W x 320 D x 1010 H
- Parts: folded and welded steel plate (2,5mm) with internal reinforcement (up to 10mm), an access door, a removeable cover and a base plate (6mm)
- Removable cover runs diagonally upwards to the center
- Pivot points are mounted with bearings and tension ring mounts

Barrier arm

- Round aluminium tube (Ø 84mm) with a plug at both ends
- Red reflective strips (330 x 90 mm) are applied to both sides
- Balanced by a wear-resistant compression spring (> 3.000.000 movements)
- 3 types:
 - Type R = right-hand mounted barrier arm
 - Type L = left-hand mounted barrier arm
 - Type C = centrally mounted barrier arm
- Secured by 4 (R, L) or 3 (C) stainless steel bolts which makes the barrier arm easy to replace

Finishing

- Surface treatment: blasted and metallized
- Finished off with a thermo-hardened polyester coating

Opening

- Type S (fast): 1,5 sec (max. barrier arm length = 3470mm)
- Type N (normal): 4,0 sec (max. barrier arm length = 4500mm)

Safety

Emergency release accessible through the access door at the front of the barrier box. When the door is opened, a circuit breaker prevents the barrier from opening automatically. The barrier can be opened manually using the emergency crank (found on the connecting rod).

Emergency crank (optional)

When the emergency crank is used, the current is automatically interrupted by a limit switch that is in contact with the motor gearbox. To use the emergency crank, swivel the cover on the right side of the barrier box.

Mechanism

Drive

Single bearing intermediate shaft (25mm) is driven by a single-phase gear motor using a crankshaft-connecting rod mechanism to the single bearing output shaft (35mm). This mechanism ensures a fluent movement when opening or closing and is locked in both end positions.

Durability

Slip action clutch in the gear unit ensures a safe ratio between the torque exerted and the torque required. By combining the favourable power factor (1,3) and this clutch, the gear unit is maintenance-free.

Control system

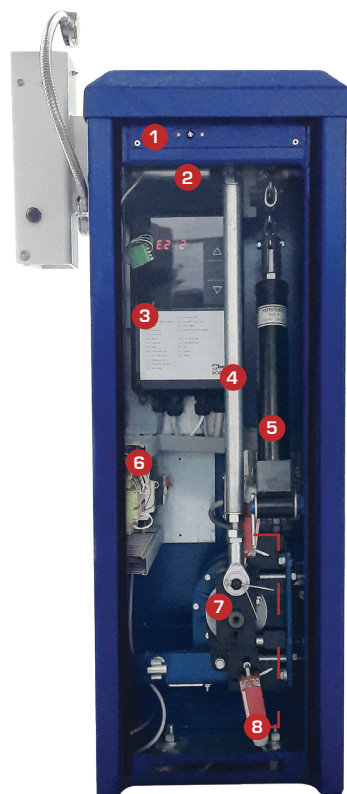
Built-in FEIG FUZ-2B frequency drive microcontroller is suitable for a wide range of applications (such as 3-push button, switch pulse, start with automatic closing, loop start,...) and is supplied with a magnetic motor safety switch. This control system prevents slipping in the slip-action clutch, which makes it maintenance-free.

Microcontroller can be connected to and managed by other home management or domotic systems with additional communication software.

Operating temperature

The MCS25 has an operating temperature of -5°C to 50°C. With the optional heating mat, the operating temperature increases to -30°C to 50°C.

Technical information and accessories



| | |
|--|---------------|
| 1 Door switch | |
| 2 Upper shaft | |
| 3 Control + motor capacitor | FEIG-WU-A-BOR |
| Power supply | 1F 230 VAC |
| Frequency | 50 Hz |
| Power usage | 30 Watt |
| 4 Connecting rod | |
| 5 Balance spring | |
| 6 Terminal strip | |
| 7 Motor gearbox with internal slip clutch | |
| Power supply | 230 VAC |
| Frequency | 50 Hz |
| Power usage | 370 Watt |
| Cosinus Phi | 0.94 |
| 8 Limit switches | |

Position of the barrier arm



| | |
|--|---|
| Dimensions barrier box | 350 x 320 x 1010mm (WxDxH) |
| Parts barrier box | Folded and welded steel plate (2,5mm) with internal reinforcement (up to 10mm), an access door, a removeable cover and a base plate (6mm) |
| Ø boom barrier arm | 84mm |
| Opening speed | <i>*without options</i> |
| Type F | 1,5 sec (max. barrier arm length= 3470mm) |
| Type N | 4 sec (max. barrier arm length= 4500mm) |
| Control | Relay control |
| Operating temperature | -5°C to 50°C |
| Options | |
| Frequency control | |
| Articulated barrier arm | To 4500mm |
| Folding barrier arm | To 4500mm (dependent on height of the socle/ceiling) |
| Emergency crank | |
| Potential-free contact of the limit switches in the clamping strip | |
| Maritime coating | |
| Stainless steel | |
| Support pole | |

Accessories - barrier arm



Barrier arm break away



Articulated arm



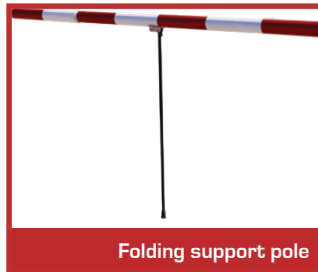
Folding arm



LED-lighting



Safety strip

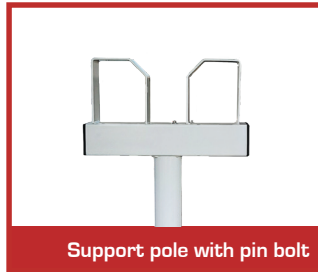


Folding support pole

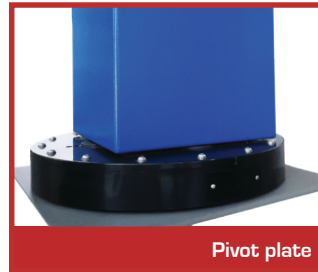
Accessories - general



Support pole



Support pole with pin bolt



Pivot plate



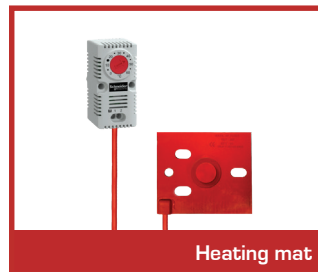
Laser sensor - horizontal



Laser sensor - vertical



Photo cell



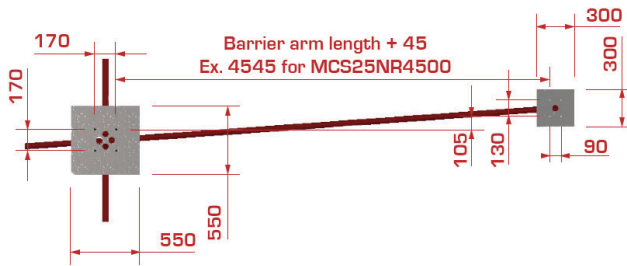
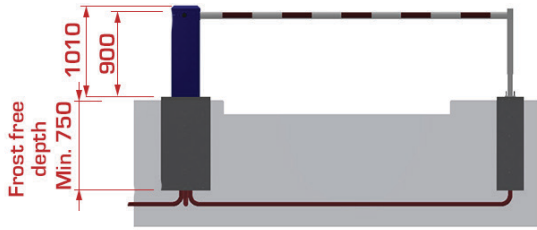
Heating mat



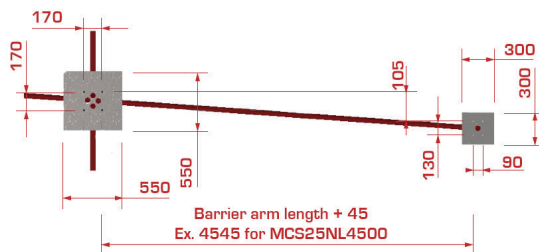
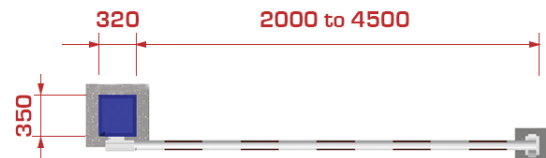
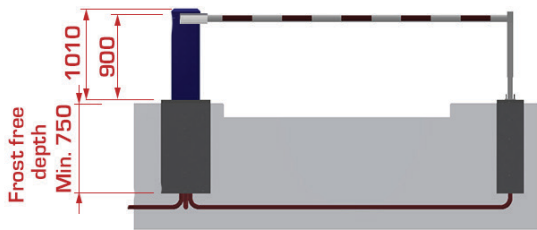
Loop detector - Bircher/FEIG

Technical drawings

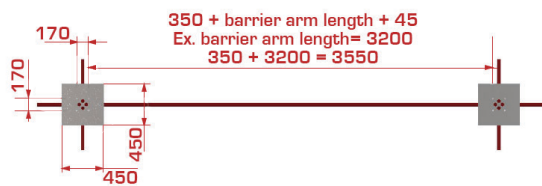
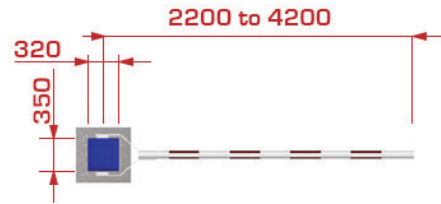
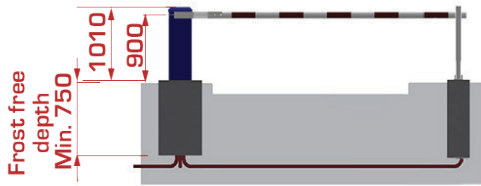
MCS25 - right-hand mounted barrier arm



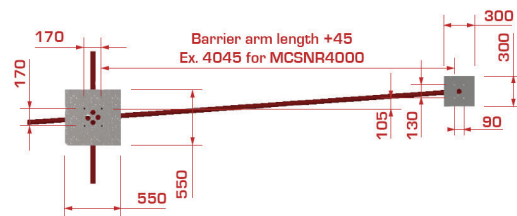
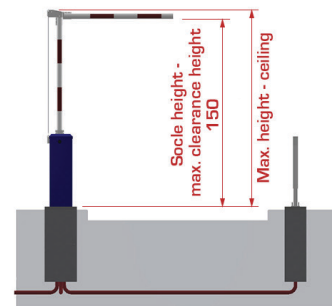
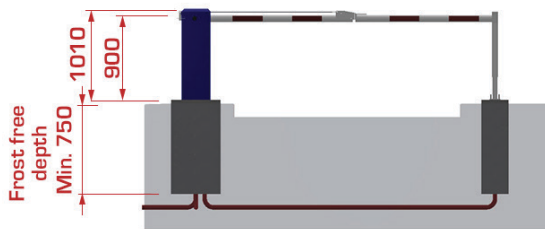
MCS25 - left-hand mounted barrier arm



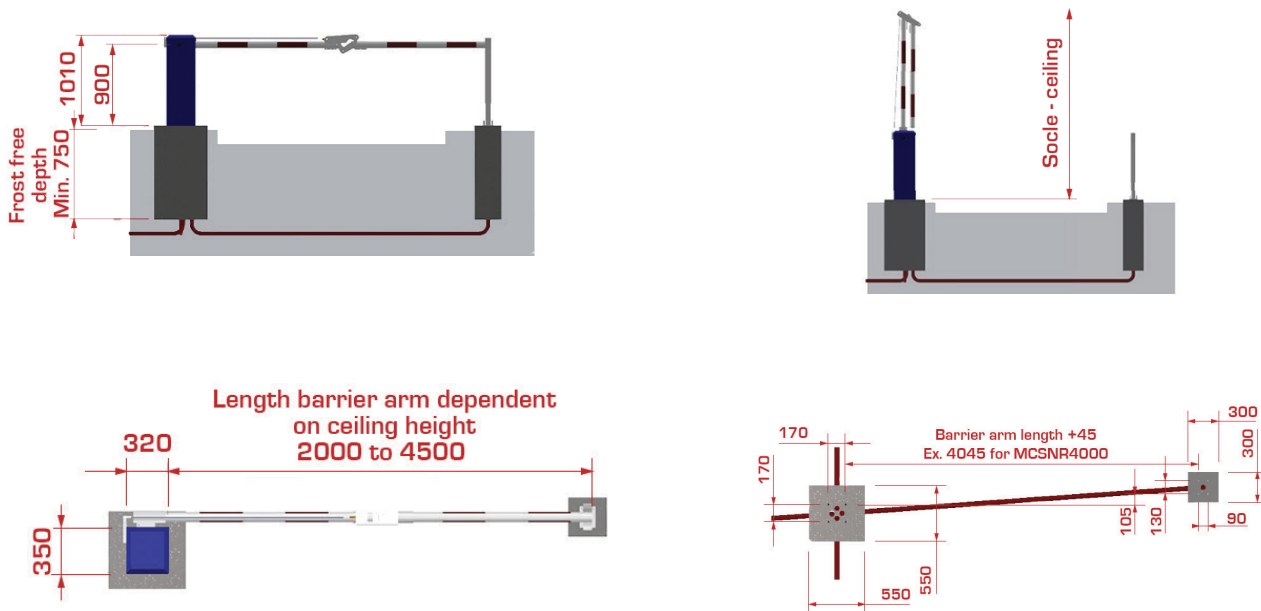
MCS25 - central mounted arm



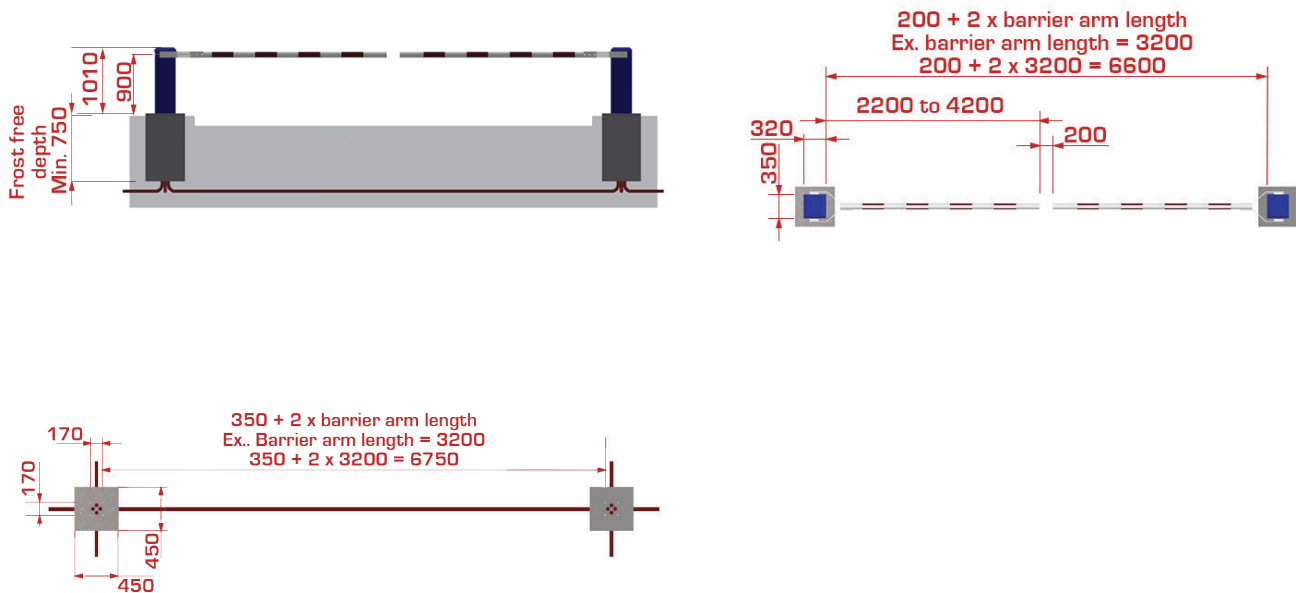
MCS25 - articulated arm



MCS25 - folding arm



MCS25 - Master/slave



MCS25 - Springs

| | 1970 | 2200 | 2470 | 2970 | 3200 | 3470 | 3500 | 4000 | 4200 | 4500 |
|------------------|----------------------------------|----------------------------------|----------------------------------|----------------------------------|----------------------------------|----------------------------------|----------------------------------|----------------------------------|----------------------------------|----------------------------------|
| MCS25 right/left | VEER 16x32 MCS25/51 type 1 | | VEER 16x32 MCS25/51 type 1 | VEER 19x38 MCS25/51 type 2 | VEER 19x38 MCS25/51 type 2 | VEER 19x38 MCS25/51 type 2 | VEER 25x51 MCS25/51 type 3 | VEER 25x51 MCS25/51 type 3 | | VEER 38x63 MCS25/51 type 4 |
| MCS25 central | | VEER 16x32 MCS25/51 type 1 | | | | | VEER 25x51 MCS25/51 type 3 | | VEER 38x63 MCS25/51 type 4 | |



BORMET

Your safe partner in access

✉ info@bambormet.be

☎ +32 11 31 26 56

📍 Ambachtstraat 1137, 3850 Nieuwerkerken, Belgium

Your safe partner in access